

# 228

Polypropylene Copolymer Ball Valve



Via Circonvallazione, 10  
13018 Valduggia (VC), Italy  
Tel: +39 0163 47891  
Fax: +39 0163 47895  
www.vironline.com



Polypropylene copolymer ball valve  
Threaded F/F (ISO 228/1)  
Ice-damaging resistant one piece body  
Blow-out proof stem  
(ball and stem in stainless steel on request)  
With handle or butterfly  
TR CU 010 compliant

PN16  
Free of CE marking (cat. according to Art. 4.3 Dir. 2014/68/EU)

Working conditions

- Suitable for: water, -20°C to +75°C
- Not suitable for: gases group 1 & 2, liquids group 1 (Dir. 2014/68/UE)

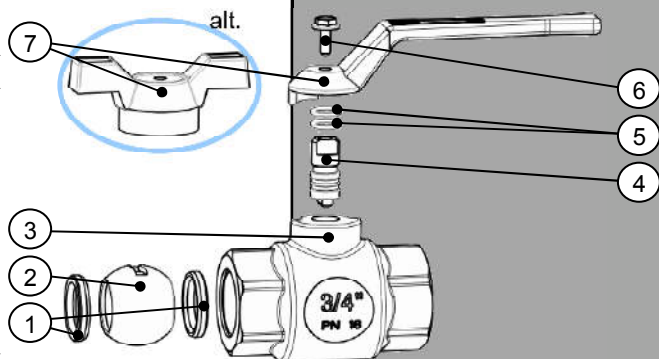


## PARTLIST

N.	Part	Material	Norm
1	Seat	PTFE	-
2	Ball	Chromium pl. brass	EN12164 CW617N
3	Body	Polyprop. copolymer	-
4	Stem	Brass	EN12164 CW617N
5	O-ring	NBR	-
6	Screw	Geomet steel	EN10025 Fe42
7	Handle	PA6 Polyamide <sup>1</sup>	-
7 alt.	Butterfly	PA6 Polyamide <sup>2</sup>	-

<sup>1</sup>50% glass fiber reinforced

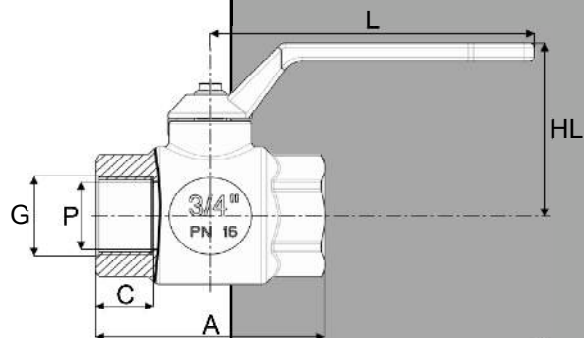
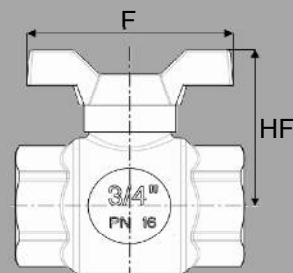
<sup>2</sup>30% glass fiber reinforced



## DIMENSIONS

DN	G	A	C	P	HL	L	HF	F	K <sub>v</sub>	Weight <sup>1</sup>
		[mm]	[mm]	[mm]	[mm]	[mm]	[mm]	[mm]	[m <sup>3</sup> /h]	[g]
015	1/2"	61	15,5	15	55	102	50	65	9,5	86 / 85
020	3/4"	72	17,5	20	59	102	54	65	19,0	128 / 127
025	1"	84	20,5	25	73	120	70	82	38,5	228 / 230

<sup>1</sup>Weight for lever handle version / weight for butterfly handle version



170411