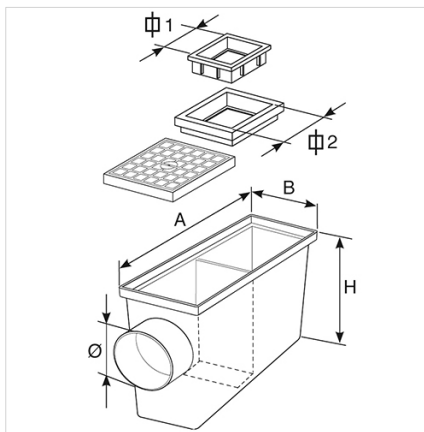


Surface Drainage / Rainwater gullies



PP Trapped rainwater gully with square inlet and horizontal outlet

Codice	RAL	AxB	Dim 1	Dim 2	H (mm)	I/s	MATERIAL	Ø (mm)
Y772004	7035	240X128	80	100	215	2,3	PP	110

Characteristics

Tested by CSTB. Flow rate in accordance with regulation EN 1253-1 par. 8.11. Material: Polypropylene.

Benefits:

- light-weight
- easier installation than concrete version
- fully injection moulded
- high durability
- access cover with handle
- internal removable baffle plate
- available with either square or round inlet ROUND Ø 80/100 or Ø 75/110, SQUARE 80/100
- horizontal outlet Ø 100 and Ø 110.

Installation: a concrete floor seating is recommended.

Application area

Pavements, grass or paved walkways: to use as inspection chamber for rain water flowing from gutter downpipes to the sewage.