



**343TA**



**343TB**



**344TA**



**344TB**

Valvola ad H termostattabile a squadra  
*Angle H valve thermostatic.*

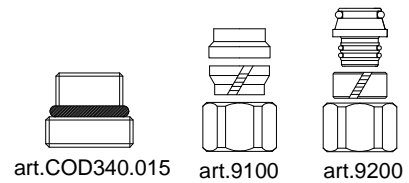
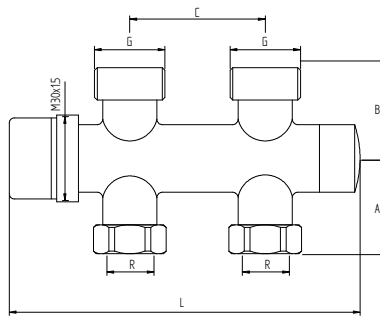
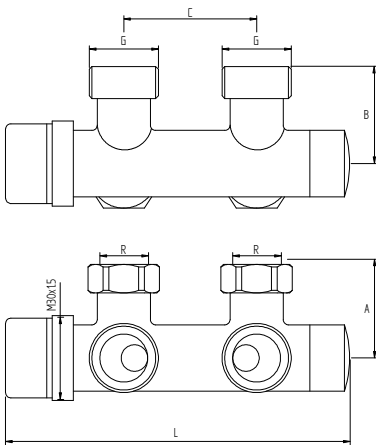
Valvola ad H termostattabile diritta.  
*Straight H valve thermostatic.*

### CARATTERISTICHE - FEATURES

- Corpo calotta e codolo ottone CW617N.
- Componenti interni ottone CW614N
- Volantino in ABS.
- guarnizione tenuta O-ring: EPDM
- finitura superficiale cromataTA bianca TB
- filettature ISO 228/1
- PN 10: TEMP. : -20°C ÷ 100°C

- *brass CW617N body, tail and nut.*
- *Brass CW614N internal components.*
- ABS cap
- Sealing gasket O-ring: EPDM
- *Chrome finishingTA whiteTB*
- *threading to ISO 228/1.*
- *PN 10: TEMP. : -20°C ÷ 100°C*

### DIMENSIONI PRINCIPALI - LEADING DIMENSIONS



R	C	A	B	L	G
3/4	50	35	28	129	3/4EK