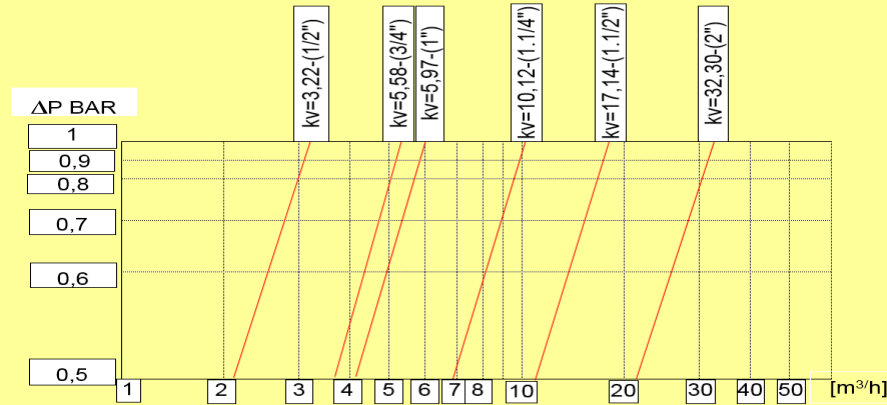
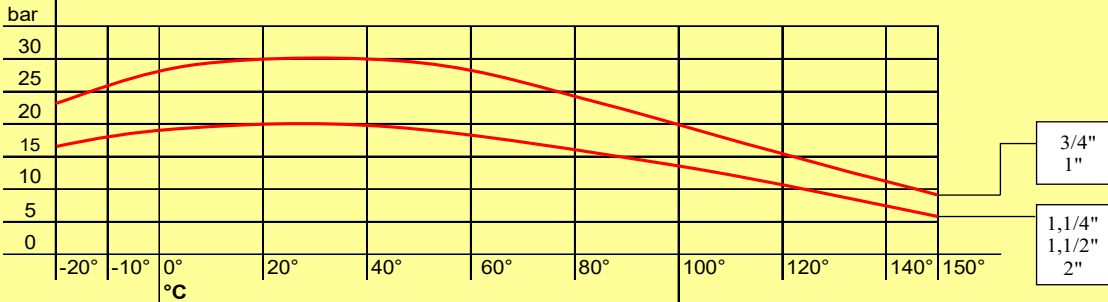


MATERIALS

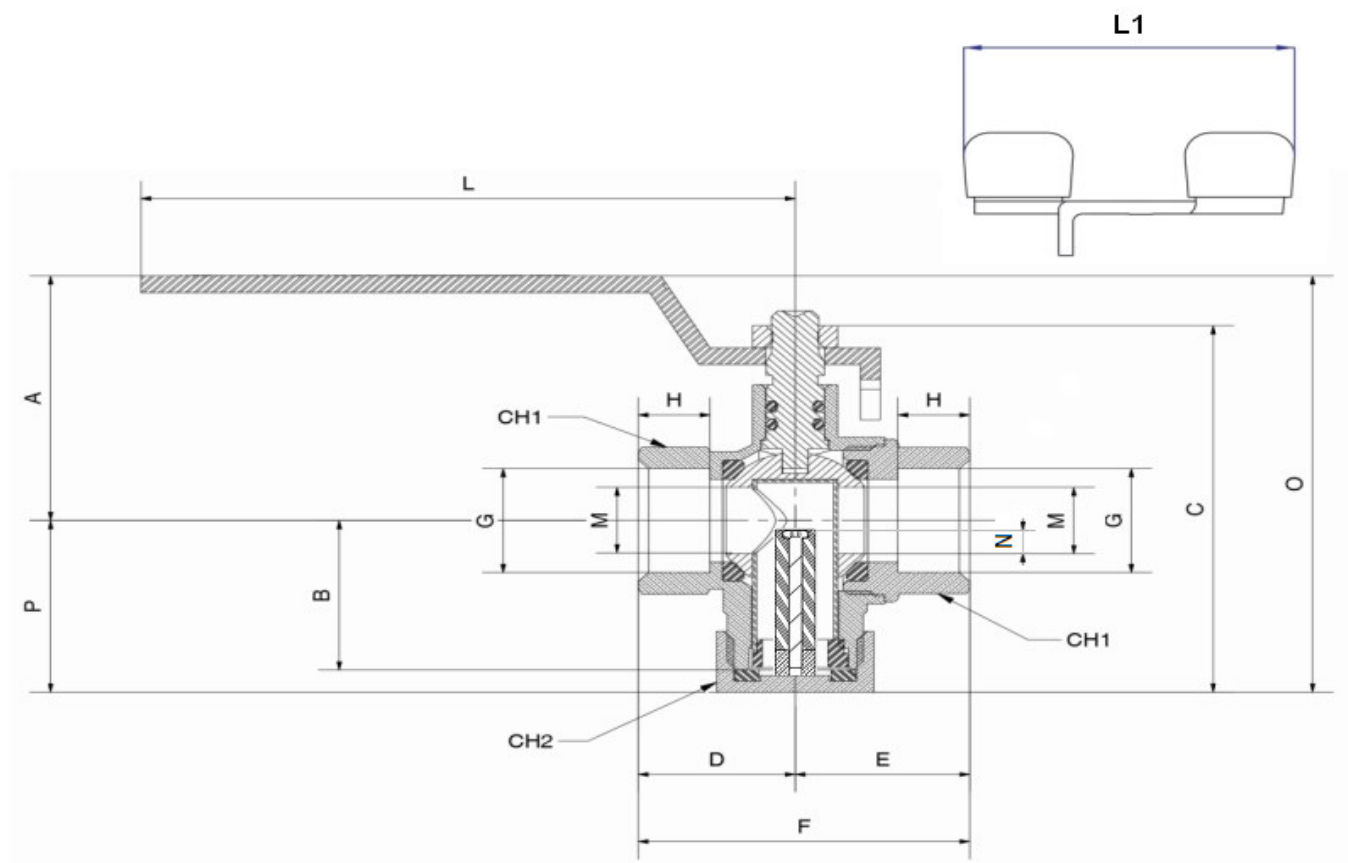
- 1 BODY: Brass CW617N-UNIEN12165
- 2 END CONNECTION: Brass CW617N-UNIEN12165
- 3 SEALS: pure PTFE
- 4 STEM: Brass CW614N-UNIEN12164
- 5 BALL: Brass CW617N-UNIEN12165 chrome-plated
- 6 O-RING: Nbr
- 7 O-RING: Fkm
- 8+9 FILTER: Aisi 304 + Nylon
- 10 FLAT SEAL: Nbr
- 11 PLUG: Brass CW614N-UNIEN12164
- 12 HANDLE: Zincplated steel, plastic cover
- 13 NUT: Zincplated steel
- 14 SCREW: Stainless steel
- 15 MAGNET: Neodymium (12.000 gauss)

TECHNICAL DATA

pressure / temperature



Filtration degree: **500 micron (35 mesh)**
 Threads: **UNI ISO 228/1** including plug
 Working temperature: **-20° +100°C**
 Valve conforming with directive **2014/68/EU**
FINAL TEST
 conforming with **UNI EN 12266-1 points A3 or A4**
 For 1,1/2"-2" sizes: conforming with directive **2014/68/EU**



Cod.	G (Threads, including on plug)	A	B	C	D	E	F	H	L	L1	DN M	N	O	P	CH1 OCT.	CH2 HEX.	PN Max BAR
0140M08	3/4"	47,4	30,9	73,5	29	32,3	61,3	13	100	68	16	8	82,5	35,1	31	30	30
0140M10	3/4"	47,4	30,9	73,5	29	32,3	61,3	13	100	68	16	5,5	82,5	35,1	31	30	30
0140M12	1, 1/4"	74	46,5	106	40	45	85	17	158	-	28	13	125,5	51,5	48	46	20
0140M14	1, 1/2"	80	52,5	118	45,5	52	97,5	17	158	-	36	11	137,5	57,5	54	55	20
0140M16	2"	88,5	63,5	143	54	63	117	20	158	-	46	13	157,0	68,5	66	65	20

CLEANING INSTRUCTION:

- 1 CLOSE THE VALVE
- 2 REMOVE THE PLUG
- 3 REMOVE THE FILTER
- 4 CLEAN THE FILTER
- 5 INSERT THE FILTER
- 6 ASSEMBLE THE PLUG
- 7 OPEN THE VALVE

The valve can be installed in any position: horizontal, vertical, oblique

INSTRUCTIONS: Valve opened: the handle is parallel to the body

Valve closed: the handle is perpendicular to the body

This valve must be employed according to this data sheet instruction. It can be employed for dangerous fluids.

Ref. DIRECTIVE 2014/68/EU Group 1 fluids